



MOBILE STAGING MOBILE SEATING

- Beautiful Architectural design:** roof slopes to rear for water runoff
- Simple Set up:** very few loose parts. Less than 15 min for basic set up
- No front corner columns:** onstage talent connects to audience with clear sightlines to each side
- Permanent fabric top:** eliminates audio resonance and reverb into sound system
- Galvanized Steel and Marine Aluminum:** lifetime construction
- EV:** deep cycle electric/hydraulic: clean, quiet, fast, remote control power



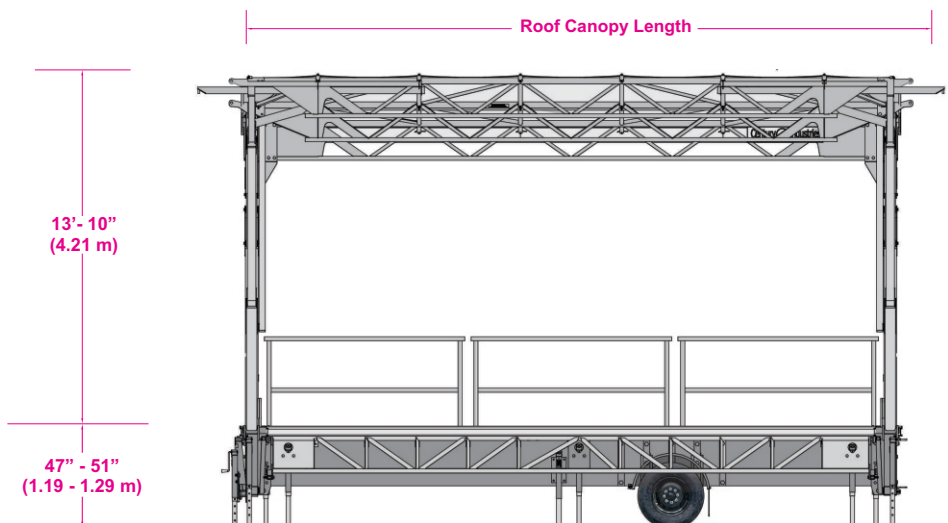
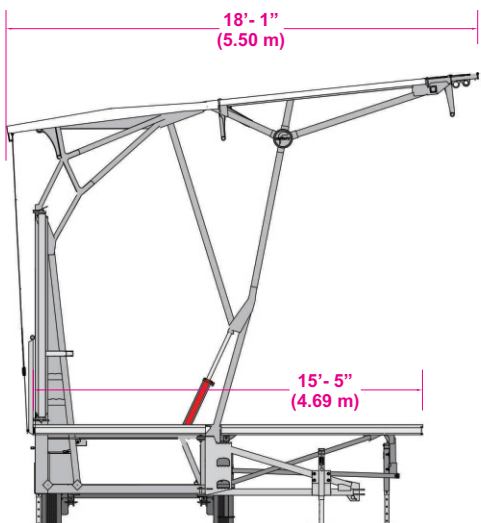
Shown with Optional Features

Mobile Bandstand

FR 4100 Mobile Bandstand

Stage deck: 16' D x 20' 24' 32' L
 Empty Weight: 7,900 lbs 8,700 lbs 10,200 lbs
 Lights and sound: Static 5,500 lbs - Dynamic lifting 3,500 lbs

US10557276B1
 US2978311B1



Folding stage deck truss: fast easy stage deck leveling

!!! Safety: High Wind Action Plan: 5 min push button to lower roof !!!

Batwing™: side roof covers for stairs, monitor mix, guitar world, dressing rooms, etc. (optional)

ADA mounted Wheelchair lift (optional)

On deck transport storage: 6ft wide, 8ft high, x length of trailer

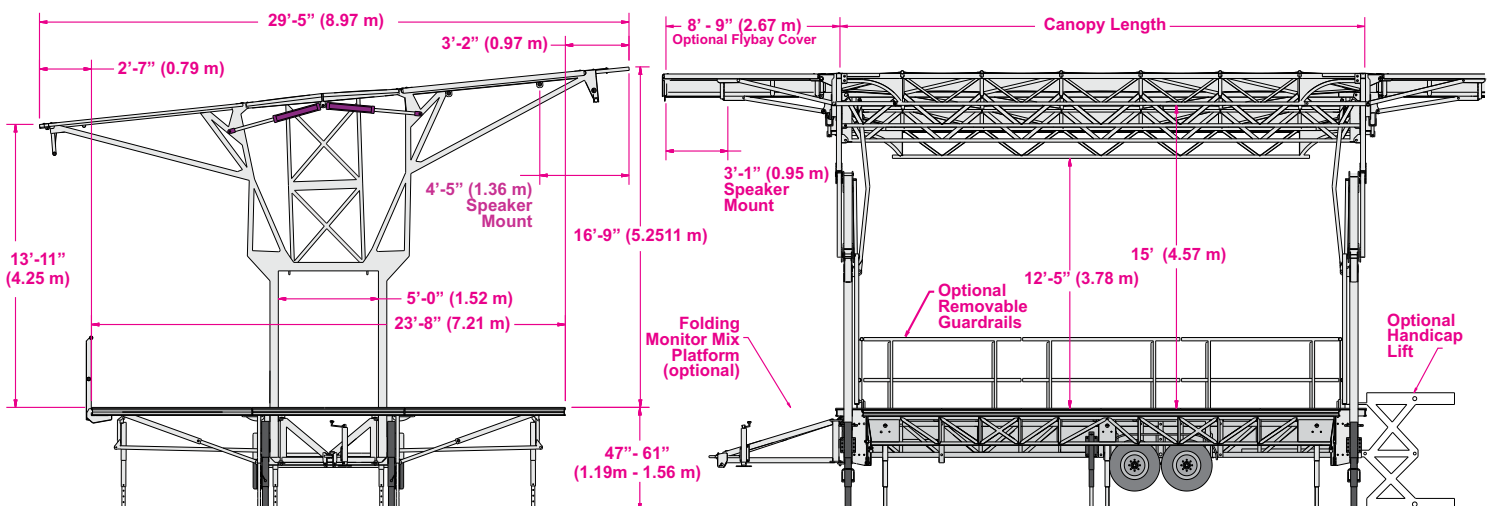
Under deck transport storage: 50" wide, 20" high, x length of trailer

Professional Engineer Certified



FR 4500 Mobile Concert Stage

Stage deck: 24' D x 24' 32' 40' L
 Empty Weight: 14,100 lbs 15,400 lbs 17,100 lbs
 Lights and sound: Static 13,200 lbs - Dynamic lifting 4,800 lbs





Stage deck: 14' D x	24'	28'	32'	36' L
Empty Weight:	13,500 lbs	14,000 lbs	16,000 lbs	17,100 lbs

Transport
MOBILE BLEACHERS



Century Industries, Inc.



@CenturyIndustr1



YouTube.com/CenturyInd

